



AE-SC SERIES 3-AXIS SERVO DRIVEN TRAVERSING ROBOTS

The AE-SC Series robot is for molding machines from 80 to 4500 tons. Three axis servo drives provide the molder with a cost-effective robot for most applications. The linear bearing guideways on all axes provide smooth operation and low maintenance. The hand-held pendant comes equipped with 30 teachable sequences. The AE-SC Series robot's rapid acceleration and deceleration reduces the cycle time, while maintaining precision positioning and accurate repeatability.



AE-SC Series

STANDARD FEATURES

- C-axis 90° wrist flip
- 2 pneumatic pressure circuits
- 1 vacuum circuit
- SPI compatible 32-pin/10 amp robot side connector
- Rigid steel structure built for steady movement and precision positioning with various payload capabilities
- Multi function program built in as standard
- 14 spare inputs / outputs
- Cable guide protection on electrical wires and air hoses
- Offers rapid acceleration and deceleration
- Precision positioning and accurate repeatability within $\pm 0.1\text{mm}$

OPTIONAL FEATURES

- Additional pneumatic pressure circuit(s)
- Additional vacuum circuit(s)
- A-axis pneumatic wrist rotate
- End of arm tooling quick change plate(s) for additional tools
- Two-stage telescopic vertical arm for overhead clearance issues (standard on models 1500 and higher)

SMALL BEAM (80-1000 TON) TRAVERSE ROBOTS

Model Number	Vertical Stroke, mm (in.)	Kick Stroke, mm (in.)	Traverse Stroke, mm (in.)	Payload, lbs.
Single stage vertical arm				
AE-SC-900-1720	900 (35.4)	400 (15.7)	1720 (67.7)	26.4
AE-SC-900-1960			1960 (77.2)	
AE-SC-900-2200			2200 (86.6)	
AE-SC-900-2600			2600 (102.4)	
AE-SC-900-3000			3000 (118.1)	
AE-SC-1100-1960	1100 (43.3)	520 (20.5)	1960 (77.2)	
AE-SC-1100-2200			2200 (86.6)	
AE-SC-1100-2600			2600 (102.4)	
AE-SC-1100-3000			3000 (118.1)	
AE-SC-1300-2200	1300 (51.2)	640 (25.2)	2200 (86.6)	
AE-SC-1300-2600			2600 (102.4)	
AE-SC-1300-3000			3000 (118.1)	

Note: Above models 900-1300 also available in two-stage telescopic configuration for low overhead clearance

LARGE BEAM (1500-4500 TON) TRAVERSE ROBOTS

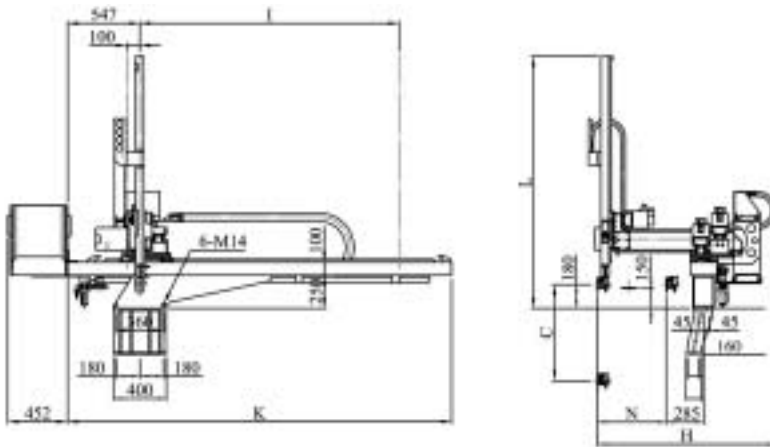
Model Number	Vertical Stroke, mm (in.)	Kick Stroke, mm (in.)	Traverse Stroke, mm (in.)	Payload, lbs.	
Two stage telescopic vertical arm					
AE-SC-1500T-2140	1500 (59.1)	760 (29.9)	2140 (84.3)	66.0	
AE-SC-1500T-2320			2320 (91.3)		
AE-SC-1500T-2500			2500 (98.4)		
AE-SC-1500T-3000			3000 (118.1)		
AE-SC-1500T-3500			3500 (137.8)		
AE-SC-1700T-2320	1700 (66.9)	880 (34.6)	2320 (91.3)		
AE-SC-1700T-2500			2500 (98.4)		
AE-SC-1700T-3000			3000 (118.1)		
AE-SC-1700T-3500			3500 (137.8)		
AE-SC-2000T-2500	2000 (78.7)	1000 (39.4)	2500 (98.4)		
AE-SC-2000T-3000			3000 (118.1)		
AE-SC-2000T-3500			3500 (137.8)		
AE-SC-2500T-3060	2500 (98.4)	1200 (47.2)	3060 (120.5)		110.0
AE-SC-2500T-4000			4000 (157.5)		
AE-SC-2500T-5000			5000 (196.9)		
AE-SC-3000T-3060	3000 (118.1)	1380 (54.3)	3060 (120.5)		
AE-SC-3000T-4000			4000 (157.5)		
AE-SC-3000T-5000			5000 (196.9)		

* Operating voltage: 220/3/60

SMALL BEAM (80-1000 TON) TRAVERSE ROBOTS - SINGLE STAGE

Model Number	C (mm)	H (mm)	I (mm)	K (mm)	L (mm)	N (mm)
AE-SC-900	900	1232	1720	2746	1691	400
AE-SC-1100	1100	1352	1960	2986	1891	520
AE-SC-1300	1300	1472	2140	3166	2091	640

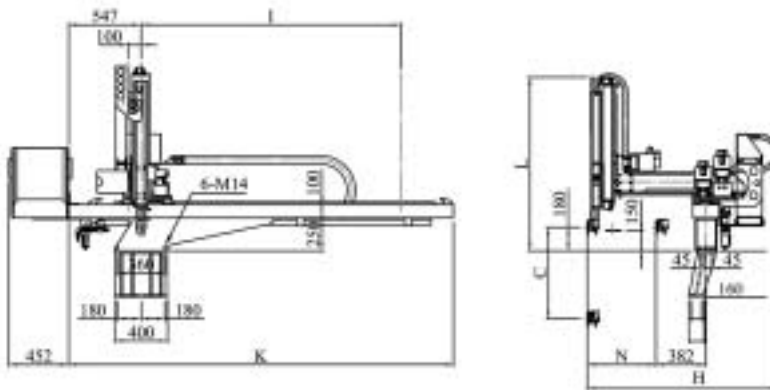
Extension traverse available: 2600mm and 3000mm



SMALL BEAM (80-1000 TON) TRAVERSE ROBOTS - TWO STAGE TELESCOPIC

Model Number	C (mm)	H (mm)	I (mm)	K (mm)	L (mm)	N (mm)
AE-SC-900T	900	1329	1720	2746	1318	400
AE-SC-1100T	1100	1449	1960	2986	1398	520
AE-SC-1300T	1300	1569	2140	3166	1498	640

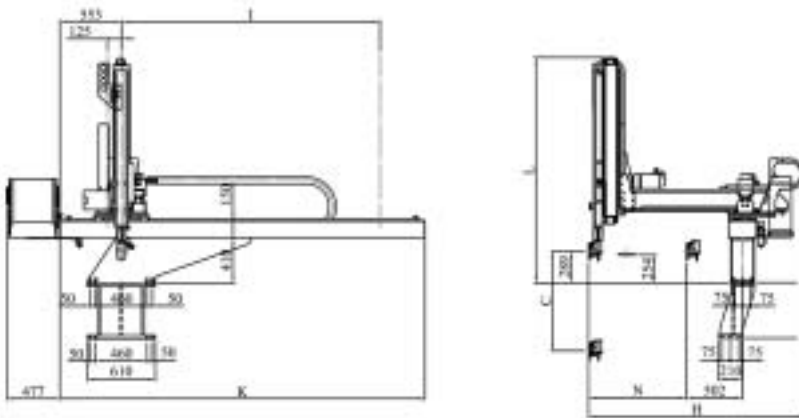
Extension traverse available: 2600mm and 3000mm



LARGE BEAM (1500-4500 TON) TRAVERSE ROBOTS - TWO STAGE TELESCOPIC

Model Number	C (mm)	H (mm)	I (mm)	K (mm)	L (mm)	N (mm)
AE-SC-1500T	1500	1818	2200	3156	1911	760
AE-SC-1700T	1700	1938	2320	3276	2031	880
AE-SC-2000T	2000	2058	2500	3456	2151	1000

Extension traverse available: 3000mm and 3500mm



LARGE BEAM (1500-4500 TON) TRAVERSE ROBOTS - TWO STAGE TELESCOPIC

Model Number	C (mm)	H (mm)	I (mm)	K (mm)	L (mm)	N (mm)
AE-SC-2500T	2500	2330	3060	4005	2430	1200
AE-SC-3000T	3000	2510	3060	4005	2670	1380

Extension traverse available: 3000mm and 3500mm

