



AUTOMATE

APEX YS AND ST SERIES SPRUE PICKERS

Part and Runner System Removal

Patented Gripper

**Flexible, Easy-To-Use Hand-Held
Pendant Controller**

**Unique Gripper Design
Eliminates Verification
Switch Adjustment**



YS SERIES



ST SERIES

The AEC YS and ST Series pickers feature high payload capacities, a proven design and a state-of-the-art control system. These pickers are backed by AEC's worldwide network of technical, sales and service support personnel, including experienced design and application engineers.



c/o ACS Automation
2900 S 160th Street
New Berlin, WI 53151 USA
Tel. 262.641.3838 Fax 262.641.8651



**WHITLOCK/
MATERIAL
HANDLING**



HEAT & COOL



**BLEND &
RECLAIM**



**NELMOR/
GRANULATE**



**DOWNSTREAM
EXTRUSION**



AUTOMATE



**SYSTEMS
CONTRACTING**



SERVICE



AUTOMATE

APEX YS AND ST SERIES SPRUE PICKERS

YS Series sprue pickers from AEC are designed to be a cost-effective sprue removal robot and feature a single stage vertical arm for simple operation. The standard controller provides teach-programmable sequences for maximum flexibility.

ADDITIONAL YS SERIES STANDARD FEATURES

- Slow-down at part release
- Pressure differential switch for sprue/runner detection on gripper eliminates mechanical switches and increases reliability
- Main arm swing angle: 60°-90° (Adjustable)
- Compressed air pressure: 60-90 psi
- Effective payload: 8 lbs
- Power requirement: 120 or 240 VAC, approximately 40 VA

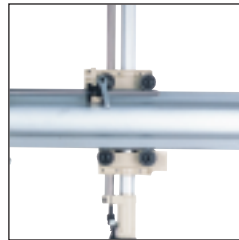
OPTIONAL FEATURES

- Wrist rotate B-90
- Vacuum grip circuit including a generic vacuum tooling kit and B-90 wrist rotate
- Spare parts kit
- Mold spray system with controller (excludes nozzles)
- Swing out home position for rack molds
- Non-SPI version
- Spanish version controller
- Tool free adjustments



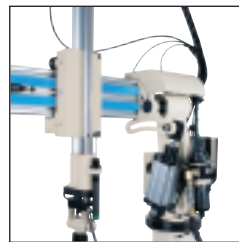
STATE-OF-THE-ART CONTROL (YS AND ST)

- Ten standard sequences
- Ten user-programmable sequences
- Two spare outputs, one spare input
- Built-in help and diagnostics
- Standard SPI interface with connector
- Spanish version available



EASY STRIP ADJUSTMENT (YS ONLY)

No tools needed for strip adjustments
(Tool free adjustment on vertical is optional)



SIMPLE SWING ADJUSTMENT (YS ONLY)

Quick and easy adjustment of swing direction and swing angle



PIVOTING BASE (YS AND ST)

Easy adjustment and pivot of robot position allows robot to pivot out of the way for mold changes



c/o ACS Automation
2900 S 160th Street
New Berlin, WI 53151 USA
Tel. 262.641.3838 Fax 262.641.8651

ENGINEERING TOTAL PROCESS SOLUTIONS WITH INTEGRATED AEC EQUIPMENT

AEC is committed to a continuing program of product improvement.
©2007 AEC, Inc.

Bulletin AA1-120.3

Specifications, appearances and dimensions are subject to change without notice.
Printed in USA



AUTOMATE

APEX YS AND ST SERIES SPRUE PICKERS

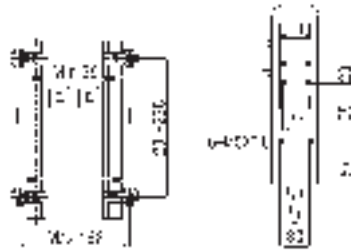
ST Series sprue pickers from AEC are available with an optional two-stage telescopic vertical arm for minimizing required overhead clearance and higher speeds. Units are available with vertical strokes up to 950mm. The standard controller provides teach-programmable sequences for maximum flexibility.

ADDITIONAL ST SERIES STANDARD FEATURES

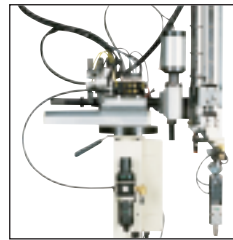
- B-90° wrist rotation
- Main arm safety lock prevents arm from descending in the event of air pressure loss
- Audible and visual alarms for operator alerts
- Pressure differential switch for sprue/runner detection on gripper eliminates mechanical switches and increases reliability
- Main arm swing angle: 45°-90° (Adjustable)
- Compressed air pressure: 60-90 psi
- Effective payload: 6 lbs
- Power requirement: 120 or 240 VAC, approximately 40 VA

OPTIONAL FEATURES

- Telescopic vertical arm (standard on 750-950 models)
 - Vertical motions ride on linear bearings which allow for lower profiles with increased speed and rigidity
- Venturi vacuum circuit with verification and adjustable vacuum tool
- Slowdown at part release (standard on telescoping 'T' units)
- Mold spray system with controller (excludes nozzles)
- Swing out home position for rack molds
- Non-SPI version
- Spanish version controller
- Tool-free adjustments

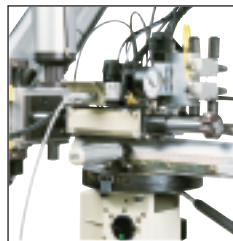


TOOLING STANDARD WITH ALL YS AND ST VACUUM-EQUIPPED (V) MODELS



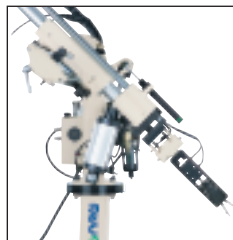
TELESCOPIC VERTICAL ARM (OPTIONAL) (ST ONLY)

Vertical motions ride on linear bearings which allow for lower profiles with increased speed and rigidity



EASY MECHANICAL ADJUSTMENT OF MOLD ENTRY POSITION (ST ONLY)

Rack-and-pinion motion with scale makes set-up quick and easy



PATENTED GRIPPER (YS AND ST)

Patented sprue gripper is strong and compact. No verification switch adjustment needed, thanks to the use of a pressure differential switch



c/o ACS Automation
2900 S 160th Street
New Berlin, WI 53151 USA
Tel. 262.641.3838 Fax 262.641.8651

ENGINEERING TOTAL PROCESS SOLUTIONS WITH INTEGRATED AEC EQUIPMENT

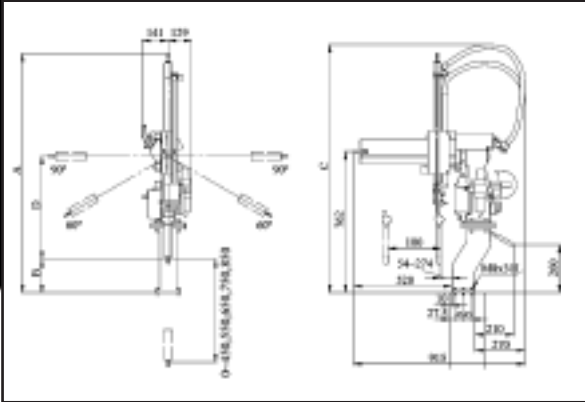
AEC is committed to a continuing program of product improvement.
©2007 AEC, Inc. Bulletin AA1-120.3

Specifications, appearances and dimensions are subject to change without notice.
Printed in USA

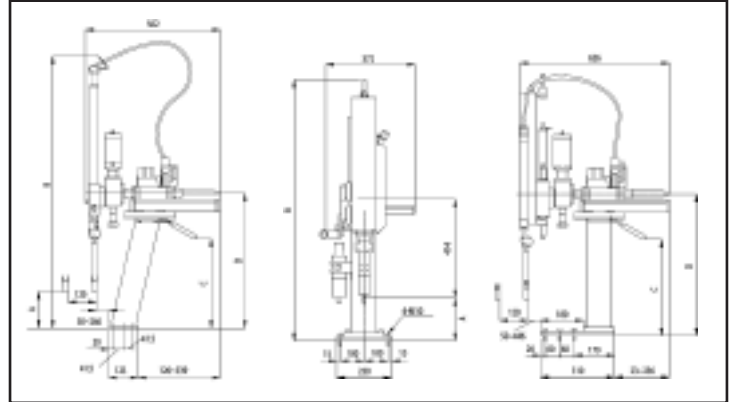


AUTOMATE

APEX YS AND ST SERIES SPRUE PICKERS



YS-xxx



ST-550/650

(Pictured at left)

ST-xxxT

(Pictured center and right)

YS SERIES SPECIFICATIONS

Model	Vertical Stroke (mm/in)	IMM Range (tons)	Dry Cycle (sec)		Gripper Heights (mm/in) (B)	Overall Height (mm/in) (C)	Net Weight (kg)
			Take-Out	Overall			
YS-550	550/21.7	60-180	0.7	3.2	115-315/4.5-12.4	1188-1388/	33.5
YS-550W					35-235/1.8-9.3		46.8-54.6
YS-650	650/25.6	120-250	0.8	3.4	115-315/4.5-12.4	1288-1488/	34
YS-650W					35-235/1.8-9.3		50.7-58.6
YS-750	750/29.5	200-350	1.0	3.8	75-275/3.0-10.8	1388-1588/	34.5
YS-750W					0.0-190/0.0-7.5		54.6-62.5
YS-850	850/33.5	300-450	1.2	4.0	75-275/3.0-10.8	1488-1688/	35
YS-850W					0.0-190/0.0-7.5		58.6-66.5

W: Wrist Rotation

ST SERIES SPECIFICATIONS

Model	Vertical Stroke (mm/in)	IMM Range (tons)	Dry Cycle (sec)		Model	Gripper Height (mm/in) A	Overall Height (mm/in) B	Handle Height (mm/in) C	Swing Centerline (mm/in) D	Net Weight (kg)
			Take-Out	Overall						
ST-550	550/21.7	60-150	0.7	3.7	AE-ST-550	180/7.1	1236/48.7	373/14.7	563/22.2	40
ST-550T			0.5	3.5	AE-ST-550T		1094/43.1	403/15.9	594/23.4	49
ST-650	650/25.6	125-250	1.2	4.2	AE-ST-650	230/9.1	1393/54.8	423/16.7	613/24.1	44
ST-650T			0.6	3.6	AE-ST-650T		1194/47	453/17.8	644/25.4	53
ST-750T	750/29.5	200-350	0.8	3.8	AE-ST-750T	280/11	1294/50.9	503/19.8	694/27.3	55
ST-850T	850/33.5	300-450	1.0	4.0	AE-ST-850T	330/13	1394/54.9	553/21.8	744/29.3	57
ST-950T	950/37.4	400-700	1.2	4.2	AE-ST-950T	380/15	1494/58.8	603/23.7	794/31.3	59

T: Telescopic



c/o ACS Automation
 2900 S 160th Street
 New Berlin, WI 53151 USA
 Tel. 262.641.3838 Fax 262.641.8651

ENGINEERING TOTAL PROCESS SOLUTIONS WITH INTEGRATED AEC EQUIPMENT

AEC is committed to a continuing program of product improvement.
 ©2007 AEC, Inc. Bulletin AA1-120.3

Specifications, appearances and dimensions are subject to change without notice.
 Printed in USA